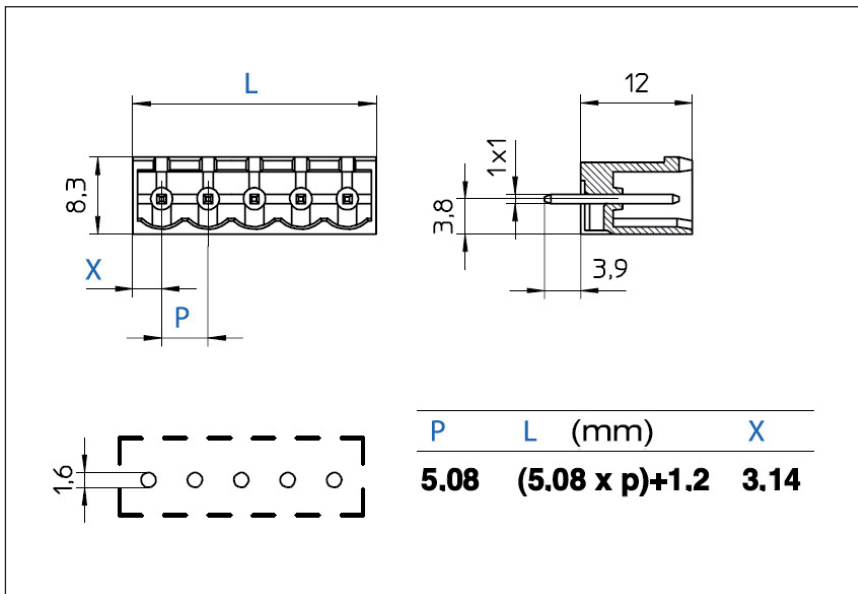
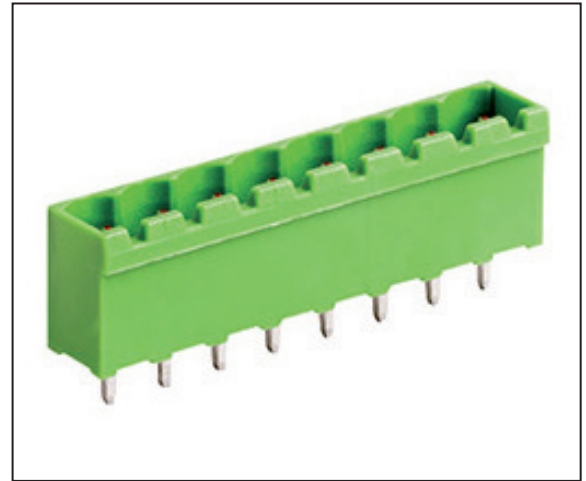


The CPM family of printed circuit board headers is used with the CPF and MRT3 pluggable terminal blocks. The CPM is available in both a vertical and 90 degree version and with either open or closed ends. A feature of the CPM header is the molded-in polarization that insures proper mating of the plug. The CPM headers are available in 2 to 24 positions and have a UL rating of 12 amps, 300 volts. The standard color is green, however other colors are available upon request.

**SPECIFICATIONS**

Housing Material: PA68 Polyamide, Flammable UL94V0  
Housing Color: Green  
Pin: Tin Plated Brass  
PCB Mounting Hole: 1.6 mm  
Nominal Current: 12A  
Voltage: 300V  
Temperature Range: -30° C to 85° C



Item	No. of Poles	Length (mm)
CPM5.08	2	11.36
CPM5.08	3	16.44
CPM5.08	4	21.52
CPM5.08	5	26.60
CPM5.08	6	31.68
CPM5.08	7	36.76
CPM5.08	8	41.84
CPM5.08	9	46.92
CPM5.08	10	52.0
CPM5.08	11	57.08
CPM5.08	12	62.16
CPM5.08	13	67.24
CPM5.08	14	72.32
CPM5.08	15	77.40
CPM5.08	16	82.48
CPM5.08	17	87.56
CPM5.08	18	92.64
CPM5.08	19	97.72
CPM5.08	20	102.80
CPM5.08	21	107.88
CPM5.08	22	112.96
CPM5.08	23	118.04
CPM5.08	24	123.12